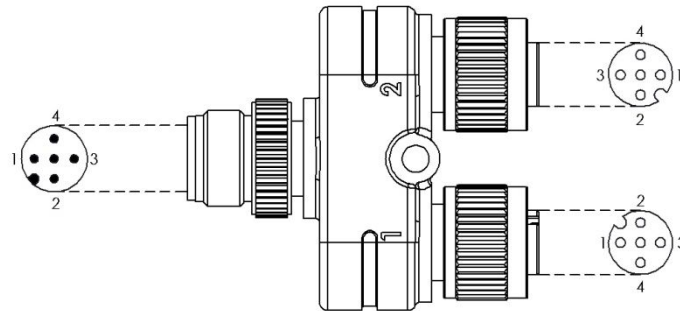
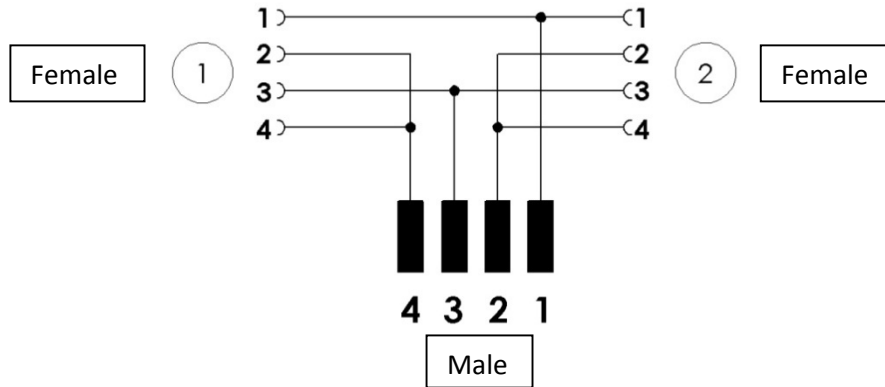


### Technical Specification

|                          | I/P End                  | O/P 1                    | O/P 2                    |
|--------------------------|--------------------------|--------------------------|--------------------------|
| Connector                | M12, Male                | M12, Female              | M12, Female              |
| Rated Voltage            | 250V                     | 250V                     | 250V                     |
| Coding                   | A                        | A                        | A                        |
| Number of pins           | 4                        | 4                        | 4                        |
| Current (at 40°C)        | 4A                       | 4A                       | 4A                       |
| Contact material         | CuZn, Ni/Au (Gold Flash) | CuZn, Ni/Au (Gold Flash) | CuZn, Ni/Au (Gold Flash) |
| Contact carrier material | Nylon 66                 | Nylon 66                 | Nylon 66                 |
| Coupling nut material    | CuZn, nickel plated      | CuZn, nickel plated      | CuZn, nickel plated      |
| Insulation resistance    | $\geq 10^8 \Omega$       |                          |                          |
| Ambient temperature      | -25°C...+85°C            |                          |                          |
| Sealing material         | Neoprene                 |                          |                          |
| Grip body material       | TPU, Black               |                          |                          |
| Shielding                | No                       |                          |                          |
| Mechanical life-cycle    | >100 mating cycles       |                          |                          |
| Degree of protection     | IP67                     |                          |                          |
| Degree of pollution      | 3                        |                          |                          |
| Standards                | IEC 61076-2-101          |                          |                          |

Specifications are subject to change without notice.

Electrical connection



Specifications are subject to change without notice.



Type Approved  
Safety  
Regular Production  
Surveillance

www.tuv.com  
ID 111210483

